

## GV-VR360 8MP H.265 Low Lux WDR IR Virtual Reality IP Camera



### Key Features

- Dual 4MP fisheye provides 720° panoramic view with no blind spots
- 1/2.9" progressive scan low lux CMOS
- Dual streams from H.265 or H.264
- Up to 30 fps at 3840 x 2160
- Day and night (with removable IR-cut filter)
- Intelligent IR
- 4 IR LEDs
- IR distance up to 10 m (32 ft)
- One-way audio
- Built-in / external microphone
- 1 sensor input and 1 alarm output
- DC 12V / PoE (PoE+, IEEE 802.3at)
- Vandal resistance (IK10 for metal casing)
- Ingress protection (IP67)
- VR Mode for YouTube & GV-Eye
- Smart phone app support
- Live streaming via YouTube
- Defog
- 3 languages on Web interface
- ONVIF (Profile S) conformant

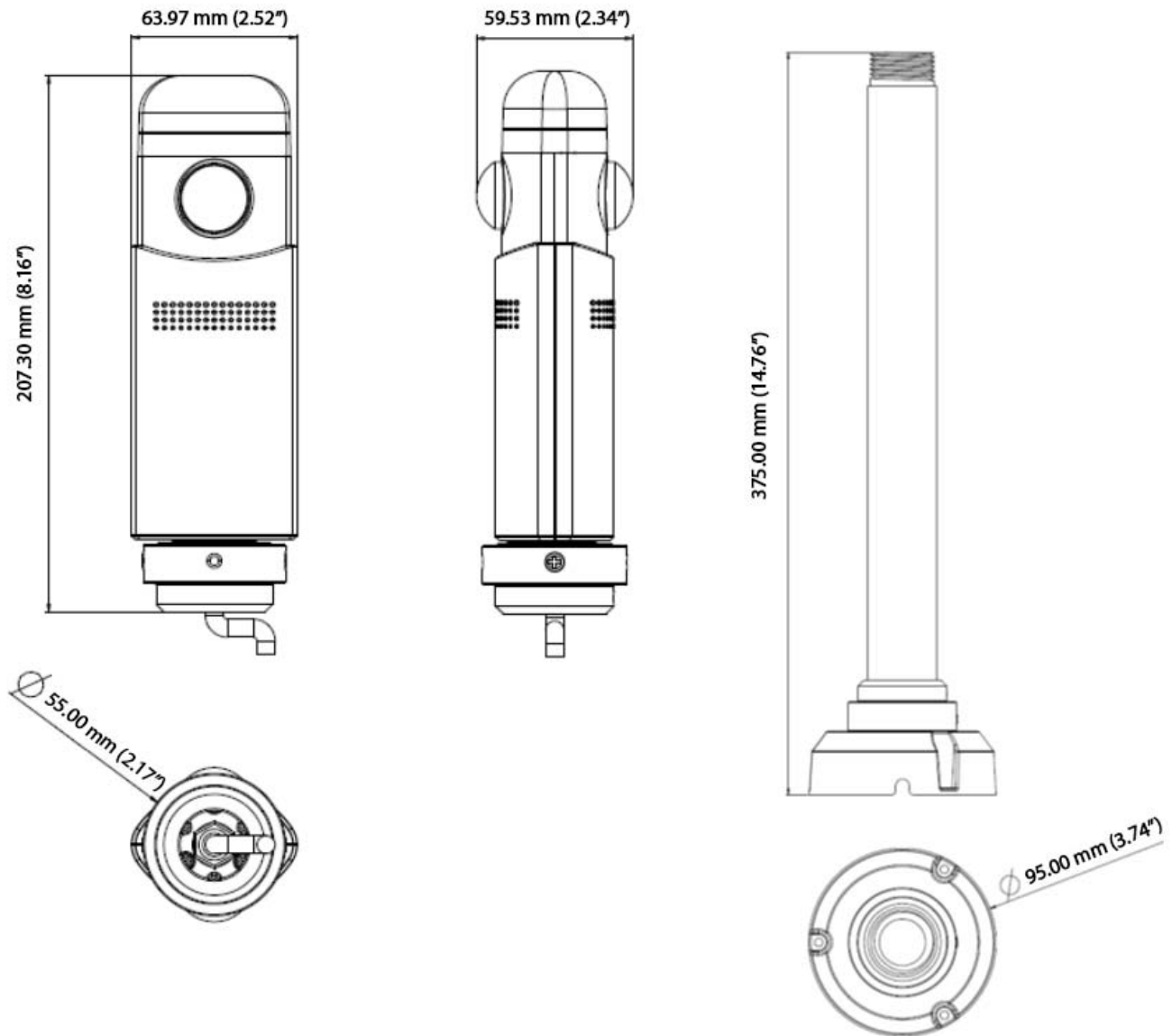
### Introduction

GV-VR360 is a Virtual Reality IP camera made true with two 4 MP fisheye panoramic cameras. The camera provides a live view of the surveillance area with an all-inclusive 720° angle range of view and extended depth of field, enabling a total coverage of wide-open areas. When streamed online or viewed through the GV-Eye or YouTube mobile app, users can watch the 720°, VR video from the camera for an immersive experience. Equipped with IR-cut filter and IR LEDs, GV-VR360 is capable of day and night surveillance under contrasting illumination conditions. Utilizing H.265 video codec, the camera allows better compression ratio while maintaining high image quality at reduced network bandwidths. The camera adheres to IK10 and IP67 standards.

### VR Mode



## Dimensions



## Specifications

System Requirements		
OS	Windows 7 Service Pack / Windows 10 or above	
CPU	Intel® 6 <sup>th</sup> generation Core™ i3	
RAM	4 GB Memory or above	
Graphics	Intel® HD Graphics 500 series or above	
Camera		
Image Sensor	1/2.9" progressive scan CMOS	
Picture Elements	3840 (H) x 2160 (V)	
Minimum Illumination	Color	0.05 Lux
	B/W	0.04 Lux
	IR ON	0 Lux
Shutter Speed	Automatic, Manual (1/5 ~ 1/8000 sec.)	
White Balance	Automatic, Manual	
Gain Control	Automatic	
S/N Ratio	50 dB	
WDR	Yes	
Dynamic Range	96 dB	

Optical Lens		
Megapixel		Yes
Day/Night		Yes (with removable IR-cut filter)
Lens Type		Fixed
Focal Length		1.05 mm
Maximum Aperture		F/2.25
Mount		M12
Horizontal FOV		360°
Operation	Focus	Fixed
	Zoom	Fixed
	Iris	Fixed
IR LED Quantity		4 IR LEDs
Max. IR Distance		10 m (32 ft)
Operation		
Video Compression		H.265, H.264
Video Streaming		Stream 1 from H.265 or H.264 Stream 2 from H.264
Frame Rate		30 fps at 3840 x 2160 (50/60 Hz) *The frame rate and the performance may vary depending on the number of connections and data bitrates (different scenes).
Image Setting		Brightness, Contrast, Saturation, Sharpness, White Balance, Flicker-less, Image Orientation (Flip, Mirror, 0°, 180°), D/N Sensitivity, WDR, Defog, Metering
Audio Compression		G.711, AAC * The AAC audio codec is for custom procurement; consult our sales representatives before purchasing.
Audio Support		One-way Audio
Sensor Input		1 Input (Dry Contact)
Alarm Output		1 Digital Output (200 mA 5V DC)
Video Resolution		
Main Stream	16:9	3840 x 2160 (Default), 2560 x 1440, 1920 x 1080, 1280 x 720
Sub Stream		Closed (Default), 3840 x 2160, 2560 x 1440, 1920 x 1080, 1280 x 720
Network		
Interface		10/100 Ethernet
Protocol		DHCP, DNS, DynDNS, HTTP, HTTPS, IPv4, NTP, ONVIF (Profile S), RTSP, SMTP, TCP/IP, UDP
Mechanical		
Temperature Detector		N/A
Connectors	Power	DC 12V, 1.25A, DC Jack / PoE
	Ethernet	10/100 Base-T, RJ-45 Connector
	Audio	1 in (built-in or external microphone with power supply)
	Digital I/O	I/O wires
	Local Storage	N/A
General		
Environment Temperature	Start-up	-20°C ~ 50°C (-4°F ~ 122°F)
	Operation	-30°C ~ 50°C (-22°F ~ 122°F)
Humidity		10% ~ 90% (no condensation)
Power Source		DC 12V / PoE (PoE+, IEEE 802.3at)
Max. Power Consumption		12 W
Dimension (Straight Tube Mount)		∅ 164 x 64 x 45.2 mm (6.46" x 2.52" x 1.78")
Weight		0.58 kg (1.28 lb)
Ingress Protection		IP67
Vandal Resistance		IK10 for metal casing
Regulatory		CE, FCC, LVD, RCM compliant

Power over Ethernet	
PoE Standard	PoE+ (IEEE 802.3at) / PD
PoE Power Supply Type	Mid-span
PoE Power Output	Per Port 48V DC, 600 mA. Max. 25.5 watts
Web Interface	
Installation Management	Web-based configuration
Maintenance	Firmware upgrade through Web Browser or Utility
Access from Web Browser	Camera Live View, Video Recording, Change Video Quality, Bandwidth Control, Image Snapshot, One-Way Audio, Picture in Picture
Language	English / Japanese / Traditional Chinese
Applications	
Software Supported	GV-VMS (V17.2.0), GV-Control Center (V3.6.0.0), GV-Edge Recording Manager (V1.4.0.0), GV-Recording Server (V1.4.0.0 + Patch for live stream only)
Mobile Phone Support	GV-Eye for iOS (V2.5.2) and Android (V2.5.1)
Live Viewing	Internet Explorer, Mobile App

**Note:**


1. Do not use clothes or any ordinary material to clean the camera cover since they may result in scratches.
2. H.265 video codec is not supported for YouTube streaming.
3. Stream 2 is disabled by default. Change the FPS of stream 1 to 25 or lower to enable stream 2.
4. To view the dewarped image of GV-VR360 on GV-VMS / GV-Control Center, the graphic card must support DirectX 10.1 or above.
5. Up to 2 GV-VR360 can be connected to a GV-VMS / GV-Control Center with a total frame rate of 24 fps.
6. Specifications are subject to change without notice.

### Packing List

- |                                 |                     |
|---------------------------------|---------------------|
| 1. IR Virtual Reality IP Camera | 6. Screw x 3        |
| 2. Mount Kit                    | 7. Screw Anchor x 3 |
| 3. Silica Gel Bag               | 8. Download Guide   |
| 4. Hex Key                      | 9. Warranty Card    |
| 5. Torx Wrench                  |                     |

**Note:** Power adapters can be purchased upon request.

### Accessories

Model No.	Name	Details
GV-POE Switch		GV-POE Switch is designed to provide power along with network connection for IP devices. GV-POE Switch is available in various models with different numbers and types of ports.
GV-Relay V2	GV-Relay V2	 <p>The GV-Relay V2 is designed to expand the voltage load of GV-IP devices. It provides 4 relay outputs, and each can be set as normally open (NO) or normally closed (NC) independently as per your requirement.</p>
Power Adapter		Contact our sales representatives for the countries and areas supported.