



YLI ELECTRONIC



# Magnetic Lock for Auto-Door

## Model: YAD-160ML

### Basic Instruction

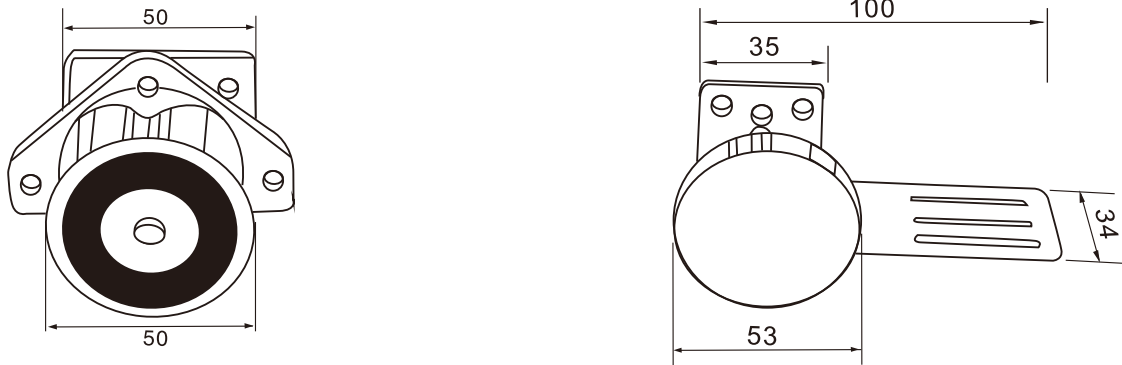
Special design and suitable for any auto-door  
No Fault Diagnosis, safety, durable

Professional design, install easily, adjust convenient  
Selected product by Auto-door manufacturer

### Specifications

- Lock Size: 70Lx70Wx50H(mm)
- Armature plate: 100Lx53Wx53H(mm)
- Holding Force: 70kg(150Lbs)
- Voltage: 12VDC+10%
- Current Draw: 12V/180mA
- Suitable for: Auto-door
- Surface Temp: 50°
- Operating Temp: -10~+55°C(14-131F)
- Suitable Humidity: 0~90%(relative humidity)
- Surface Treatment: High Temperature Paint and
- Environmental Protection Zin
- Weight: 0.8kg

### Dimension



### Installation

