

FR1500

Flush-Mounted RS-485 Fingerprint Reader



Features

- Single gang Standard junction box installation.
- Flush-Mounted Design for neat installation.
- RS-485 Communication Interface.
- SilkID Fingerprint Sensor and Support Live Finger Detecting.
- Stainless Steel Front casing.
- Optional Fingerprint Protective Cover.

Specifications

Additional Info

Working Temperature: -10 °C ~ 45 °C
 Working Humidity: 20 ~ 95%
 Dimensions(LxWxH): 121.3 × 77.3 × 38 mm
 Algorithm: ZKFinger v10.0

Power Supply

Operating Voltage 12V DC
 Stand-by Mode Power Consumption: 12V*60mA=0.72W
 Peak Current of Fingerprint scanning: 140mA

Hardware

1.0 GHz CPU
 ZKSilkID Sensor
 Buzzer Prompt
 Three-color Indicator Light

Standard Features

125KHz RFID Card

Communication

RS485

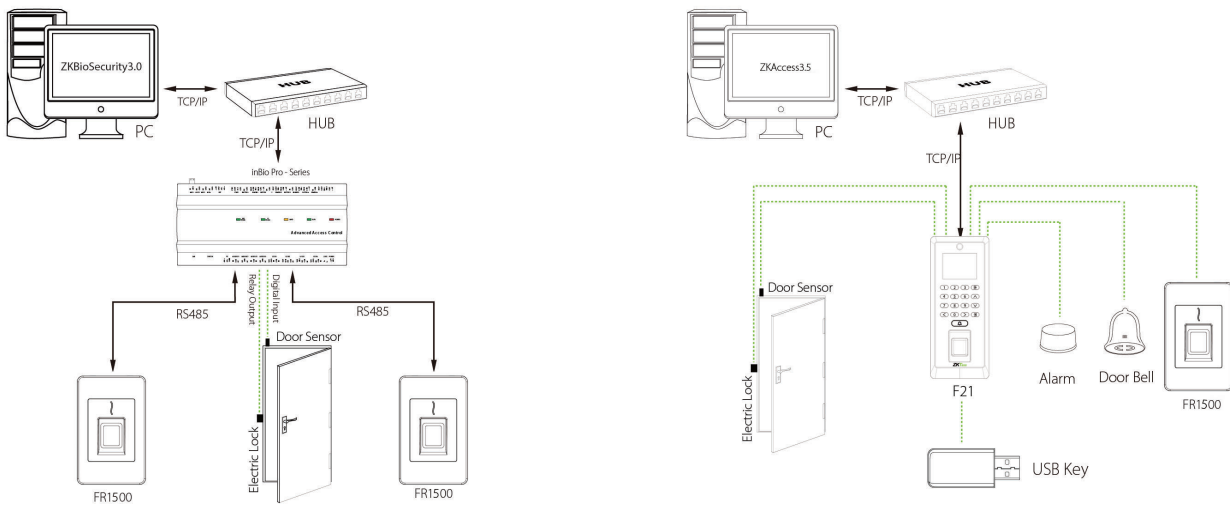
Compatibility

inBio/inBioPro Controllers
 Standalone Fingerprint Devices

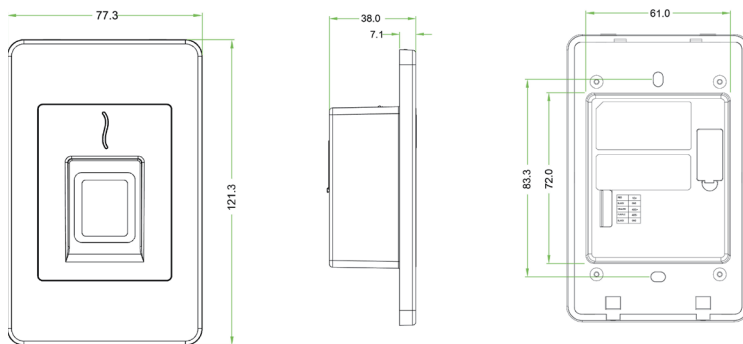
Optional Features

125KHz HID Prox Card
 13.56MHz MifareCard(S50 / S70)
 13.56MHz HID Iclass Card

Configuration



Dimensions (mm)



ООО Компания "Строимир"
 г. Киев, ул. Борщаговская 154А, оф. 435
 +38 (044) 331-15-43 info@smartel.ua
<https://smartel.ua>

© Copyright 2017. ZKTECO CO.,LTD. ZKTeco Logo is a registered trademark of ZKTeco or a related company. All other product and company names mentioned are used for identification purposes only and may be the trademarks of their respective owners. All specifications are subject to change without notice. All rights reserved.



<https://smartel.ua>