

# 4MP Network IR Fixed Dome Camera

IPC3614SR3-ADPF28(40)-F



## Key Features



## Optics

- Day/night functionality
- Up to 120dB WDR (Wide Dynamic Range)
- Smart IR, up to 30m (98ft) IR distance

## Compression

- Ultra 265, H.264, MJPEG
- Triple streams

## Network

- ONVIF Conformance

## Structure

- Wide temperature range: -30°C ~ 60°C (-22°F ~ 140°F)
- Wide voltage range of  $\pm 25\%$

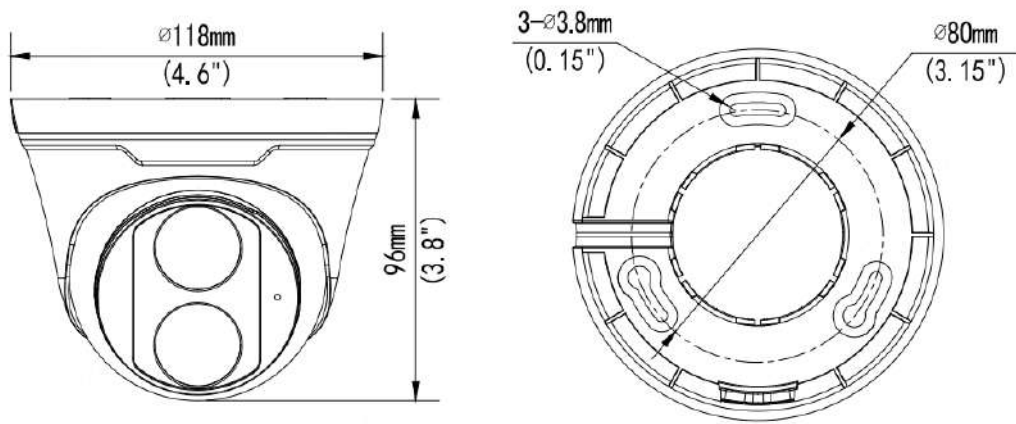
- Micro SD, up to 256 GB
- Built-in Mic
- 2KV surge protection designed for network interface
- IP67
- 3-Axis

## Specifications

	IPC3614SR3-ADPF28-F	IPC3614SR3-ADPF40-F			
<b>Camera</b>					
Sensor	1/3", 4.0 megapixel, progressive scan, CMOS				
Lens	2.8mm@F2.0	4.0mm@F2.0			
DORI Distance	Lens (mm)	Detect (m)	Observe (m)	Recognize (m)	Identify (m)
	2.8	63.0	25.2	12.6	6.3
	4.0	90.0	36.0	18.0	9.0
Angle of view(H)	107.8°		82.0°		
Angle of View (V)	57.0°		41.6°		
Angle of View (O)	140.1°		100.9°		
Adjustment angle	Pan: 0° ~ 360°		Tilt: 0° ~ 80°		Rotate: 0° ~ 360°
Shutter	Auto/Manual, 1 ~ 1/100000s				
Minimum Illumination	Colour:0.01Lux (F2.0, AGC ON) 0Lux with IR on				
Day/Night	IR-cut filter with auto switch (ICR)				
Digital noise reduction	2D/3D DNR				
S/N	>56dB				
IR Range	Up to 30m (98ft) IR range				
Wavelength	850nm				
IR On/Off Control	Auto/Manual				
Defog	Digital Defog				
WDR	120dB				
<b>Video</b>					
Video Compression	Ultra 265, H.265, H.264, MJPEG				
H.264 code profile	Baseline profile, Main Profile				
Frame Rate	Main Stream: 4MP (2688*1520), Max 30fps; 4MP (2560*1440), Max 30fps; 3MP (2304*1296), Max 30fps; 1080P(1920*1080),Max30fps Sub Stream: 720P (1280*720), Max 30fps; Third Stream: 4CIF (704*576), Max 30fps				
Video Bit Rate	128 Kbps~16 Mbps				
OSD	Up to 4 OSDs				
Privacy Mask	Up to 4 areas				
ROI	Up to 4 areas				

Motion Detection	Up to 4 areas
<b>Image</b>	
White Balance	Auto/Outdoor/Fine Tune/Sodium Lamp/Locked/Auto2
Digital noise reduction	2D/3D DNR
Smart IR	Support
Flip	Normal/Vertical/Horizontal/180°
Dewarping	NA
HLC	Supported
BLC	Supported
<b>Audio</b>	
Audio Compression	G.711
Suppression	Supported
Sampling Rate	8KHZ
<b>Storage</b>	
Edge Storage	Micro SD, up to 256 GB
Network Storage	ANR
<b>Network</b>	
Protocols	IPv4, IGMP, ICMP, ARP, TCP, UDP, DHCP, RTP, RTSP, RTCP, DNS, DDNS, NTP, FTP, UPnP, HTTP, HTTPS, SMTP, SSL
Compatible Integration	ONVIF (Profile S, Profile G, Profile T), API
Client	EZStation EZView EZLive
Web Browser	Plug-in required live view: IE9+, Chrome 41 and below, Firefox 52 and below
	Plug-in free live view: Chrome 57.0+, Firefox 58.0+, Edge 16+, Safari 11+
<b>Interface</b>	
Network	1 RJ45 10M/100M Base-TX Ethernet
Built-in Mic	Supported
<b>Certifications</b>	
Certifications	CE: EN 60950-1 UL: UL60950-1 FCC: FCC Part 15
<b>General</b>	
Power	DC 12V±25%, PoE (IEEE 802.3af)
	Power consumption: Max 5.5W
Dimensions (Ø x H)	Ø118 x 96mm (Ø4.6" x 3.8")
Net Weight	0.33kg (0.73lb)
Material	Metal + Plastic
Operating Conditions	-30°C ~ 60°C (-22°F ~ 140°F), Humidity: ≤95% RH (non-condensing)
Storage Environment	-30°C ~ 60°C (-22°F ~ 140°F), Humidity: ≤95% RH (non-condensing)
Surge Protection	2KV
Ingress Protection	IP67

## Dimensions



## Accessories

TR-JB03-I-IN



TR-JB07/WM03-G-IN



TR-WM03-D-IN



TR-UP06-IN



TR-A01-IN



TR-SE24-IN



TR-SE24-A-IN

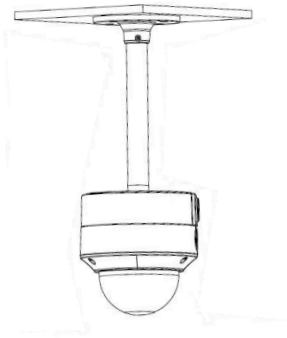


TR-CM24-IN



Junction Mount	Pole Mount
TR-JB03-I-IN	TR-JB07/WM03-G-IN(TR-WM03-D-IN)+TR-UP06-IN

TR-CM24-IN+TR-JB03-I-IN



**Zhejiang Uniview Technologies Co., Ltd.**

Building No.10, Wanlun Science Park, Jiangling Road 88, Binjiang District, Hangzhou, Zhejiang, China (310051)

©2020 Zhejiang Uniview Technologies Co., Ltd. All rights reserved.

\*Product specifications and availability are subject to change without notice.