

DS-2CD1027G3-LIU(F)/(SL)/(SRB) 2 MP ColorVu 3.0 Fixed Bullet Network Camera

ColorVu 3.0



- HikAI-ISP for excellent noise reduction effect
- Super clear 24/7 colorful imaging with ColorVu 3.0 technology
- Motion Detection 3.0, more accurate on person and vehicle classification
- Smart Hybrid Light: integrates IR and white lights, 3 supplemental lighting modes
- -SL/-SRB: Provide real-time security via built-in two-way audio and strobe light alarm
- -F: Support on-board storage up to 512 GB (SD card slot) (Optional)
- Water and dust resistant (IP67)

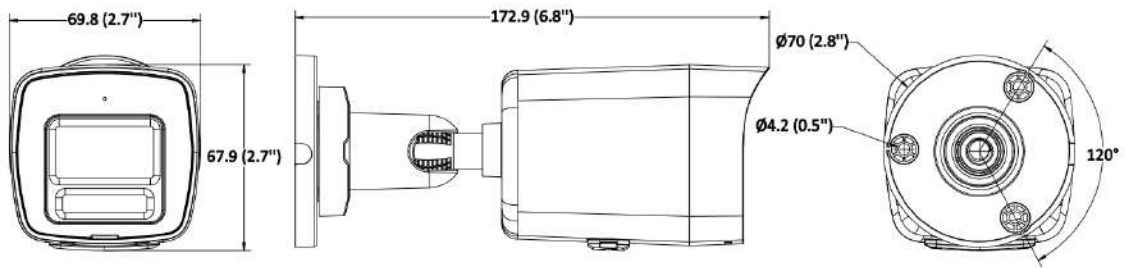
▪ Specification

Camera	
Image Sensor	1/2.8" Progressive Scan CMOS
Max. Resolution	1920 × 1080
Min. Illumination	Color: 0.0005 Lux @ (F1.0, AGC ON), 0 Lux with light
Shutter Time	1 s to 1/100,000 s
Day & Night	IR cut filter
Angle Adjustment	Pan: 0° to 360°, tilt: 0° to 90°, rotate: 0° to 360°
Lens	
Lens Type	Fixed focal lens, 2.8 and 4 mm optional
Focal Length & FOV	2.8 mm, horizontal FOV 106°, vertical FOV 56°, diagonal FOV 129° 4 mm, horizontal FOV 88°, vertical FOV 47°, diagonal FOV 103°
Lens Mount	M12
Iris Type	Fixed
Aperture	F1.0
Depth of Field	2.8 mm: 1.2 m to ∞ 4 mm: 1.3 m to ∞
DORI	
DORI	2.8 mm, D: 44 m, O: 17 m, R: 8 m, I: 4 m 4 mm, D: 53 m, O: 21 m, R: 10 m, I: 5 m
Illuminator	
Supplement Light Type	IR, White Light
Supplement Light Range	Up to 30 m
Smart Supplement Light	Yes
IR Wavelength	850 nm
Video	
Main Stream	50 Hz: 25 fps (1920 × 1080, 1280 × 720) 60 Hz: 30 fps (1920 × 1080, 1280 × 720)
Sub-Stream	50 Hz: 25 fps (640 × 480, 640 × 360) 60 Hz: 30 fps (640 × 480, 640 × 360)
Video Compression	Main stream: H.265+/H.265/H.264+/H.264, Sub-stream: H.265/H.264/MJPEG
Video Bit Rate	32 Kbps to 8 Mbps
H.264 Type	Baseline Profile, Main Profile, High Profile
H.265 Type	Main Profile
Bit Rate Control	CBR, VBR
Scalable Video Coding (SVC)	H.264 and H.265 encoding
Region of Interest (ROI)	1 fixed region for main stream and sub-stream
Audio	
Audio Type	Mono sound
Audio Compression	G.711ulaw/G.711alaw/G.722.1/G.726/MP2L2/PCM/AAC-LC/MP3
Audio Bit Rate	64 Kbps (G.711)/16 Kbps (G.722.1)/16 Kbps (G.726)/32 to 160 Kbps (MP2L2)/16 to 64 Kbps (AAC-LC)/8 to 160 Kbps (MP3)
Audio Sampling Rate	8 kHz/16 kHz
Environment Noise Filtering	Yes

Network	
Protocols	TCP/IP, ICMP, DHCP, DNS, HTTP, RTP, RTSP, RTCP, NTP, IPv4, IPv6, IGMP, UDP, QoS, FTP, SMTP
Simultaneous Live View	Up to 6 channels
API	ONVIF (Profile S, Profile G, Profile T), ISAPI, SDK
User/Host	Up to 32 users 3 user levels: administrator, operator, and user
Security	Password protection, complicated password, watermark, basic and digest authentication for HTTP, WSSE and digest authentication for Open Network Video Interface, security audit log, host authentication (MAC address)
Client	iVMS-4200, Hik-Connect
Web Browser	Plug-in required live view: Chrome 80+, Firefox 80+, Edge 89+, Safari 13+ Plug-in free live view: Chrome 80+, Firefox 80+, Edge 89+
Image	
Image Settings	Rotate mode, saturation, brightness, contrast, sharpness, gain, white balance, adjustable by client software or web browser
Day/Night Switch	Day, Night, Auto, Schedule
Wide Dynamic Range (WDR)	120 dB
SNR	≥ 52 dB
Image Enhancement	BLC, HLC, 3D DNR
Privacy Mask	4 programmable rectangular privacy masks
Transducer	
Transducer Type	NA
Detection Angle	NA
Detection Range	NA
Interface	
Ethernet Interface	1 RJ45 10 M/100 M self-adaptive Ethernet port
On-Board Storage	DS-2CD1027G3-LIU(F)(/SL)(/SRB):-LIU、 LIU/S(L)(RB) : NA -LIUF、 LIUF/S(L)(RB) : Built-in memory card slot, support microSD/microSDHC/microSDXC card, up to 512 GB NA
Built-in Microphone	Yes, 1 built-in microphone
Built-in Speaker	DS-2CD1027G3-LIU(F)(/SL)(/SRB):-LIU、 -LIUF: NA -LIU/S(L)(RB)、 -LIUF/S(L)(RB): Max. power consumption: 1.5 W, max. sound pressure level: 10 cm: 98 dB NA
Audio	NA
Alarm	NA
Reset Key	DS-2CD1027G3-LIU(F)(/SL)(/SRB):-LIU、 LIU/S(L)(RB) : NA -LIUF、 LIUF/S(L)(RB) : YES NA
Event	
Basic Event	Motion detection (support alarm triggering by specified target types (person and vehicle)), video tampering alarm, exception

Linkage	Upload to memory card/FTP,notify surveillance center,send email,trigger capture
General	
Power	DS-2CD1027G3-LIU(F)(/SL)(/SRB):-LIU: 12 VDC \pm 25%, 0.55 A, max. 6.6 W, \varnothing 5.5 mm coaxial power plug, reverse polarity protection, PoE: IEEE 802.3af, Class 3, max. 8.0 W, -LIUF: 12 VDC \pm 25%, 0.57 A, max. 6.9 W, \varnothing 5.5 mm coaxial power plug, reverse polarity protection, PoE: IEEE 802.3af, Class 3, max. 8.5 W, -LIU/S(L)(RB), -LIUF/S(L)(RB): 12 VDC \pm 25%, 0.72 A, max. 8.9 W, \varnothing 5.5 mm coaxial power plug, reverse polarity protection, PoE: IEEE 802.3af, Class 3, max. 10.5 W 12 VDC \pm 25%, 0.55 A, max. 6.6 W, \varnothing 5.5 mm coaxial power plug,reverse polarity protection, PoE: IEEE 802.3af, Class 3, max. 8 W
Material	Front cover: metal, body: plastic, bracket: plastic
Dimension	DS-2CD1027G3-LIU(F)(/SL)(/SRB):-LIU, -LIUF: 69.1 mm \times 66.9 mm \times 172.9 mm (2.7" \times 2.6" \times 6.8") -LIU/S(L)(RB), -LIUF/S(L)(RB): 69.1 mm \times 67.4 mm \times 179 mm (2.7" \times 2.7" \times 7.1") 69.1 mm \times 66.9 mm \times 172.9 mm (2.7" \times 2.6" \times 6.8")
Package Dimension	216 mm \times 121 mm \times 118 mm (8.5" \times 4.8" \times 4.7")
Weight	-LIU: Approx. 330 g (0.73 lb.) -LIUF: Approx. 335 g (0.74 lb.) -LIU(F)/SL: Approx. 450 g (0.99 lb.) -LIU(F)/SRB: Approx. 450 g (0.99 lb.)
With Package Weight	-LIU: Approx. 445 g (0.98 lb.) -LIUF: Approx. 450 g (0.99 lb.) -LIU(F)/SL: Approx. 480 g (1.06 lb.) -LIU(F)/SRB: Approx. 480 g (1.06 lb.)
Storage Conditions	-30 $^{\circ}$ C to 60 $^{\circ}$ C (-22 $^{\circ}$ F to 140 $^{\circ}$ F). Humidity 95% or less (non-condensing)
Startup and Operating Conditions	-30 $^{\circ}$ C to 60 $^{\circ}$ C (-22 $^{\circ}$ F to 140 $^{\circ}$ F). Humidity 95% or less (non-condensing)
Language	English, Russian, Ukrainian, Arabic, Spanish, French, Portuguese, Turkish, Polish, German
General Function	Heartbeat,mirror,flash log,password reset via email,password protection,anti-banding
Flashing Light	DS-2CD1027G3-LIU(F)(/SL)(/SRB):-LIU, -LIUF: NA -LIU(F)/SL: White Light -LIU(F)/SRB: Red and Blue Light NA
Approval	
EMC	CE-EMC: EN 55032:2015+A1:2020, EN 50130-4:2011+A1:2014, EN IEC 61000-3-2:2019+A1:2021, EN 61000-3-3:2013+A1:2019+A2:2021
Safety	CB: IEC 62368-1:2014+A11
Environment	CE-RoHS: 2011/65/EU, WEEE: 2012/19/EU, Reach: Regulation (EC) No 1907/2006
Protection	IP67:IEC 60529-2013




▪ Dimension





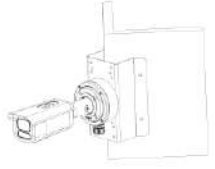
Unit: mm (inch)

▪ **Accessory**

▪ **Optional**

DS-1280ZJ-XS	DS-1275ZJ-SUS	DS-1276ZJ-SUS
		

▪ **Installation Methods**

Junction Box DS-1280ZJ-XS	Vertical Pole Mounting DS-1275ZJ-SUS+DS-12 80ZJ-XS	Corner Mounting DS-1276ZJ-SUS+DS-12 80ZJ-XS
		

See Far, Go Further

