

DS-2CD2410F-I(W)



Key Features

- Up to 1 megapixel (1280 × 720 @ 30 fps) resolution
- Standard video compression with high compression ratio, ROI (region of interest) encoding
- Progressive scan CMOS
- Built-in Micro SD/SDHC/SDXC card slot, up to 128 GB
- IR range approx. 10 meters
- Two-way audio
- Built-in microphone and speaker
- Support Wi-Fi, support WPS configuration with one touch
- Support PIR (Passive Infrared Detection)
- IR cut filter with auto switch
- 3D digital Noise Reduction
- Support dual stream, and the sub-stream for mobile surveillance
- Integrated mount for easy installation
- Support Backlight Compensation, Digital Wide Dynamic Range, Auto-electronic shutter and so on
- Other functions: heartbeat, mirror, reset button, etc
- Support intrusion detection and line crossing detection
- Support VCA, which is compatible with NVR for the second time of video searching and analysing

Application Scenarios:

It is suitable for indoor monitor space with HD image quality like small market, home, office. In addition, it can be used in small range monitor space like unattended storage, hall, accounting office, motor room, garage and so on.

Specifications:

Model parameters	DS-2CD2410F-I(W)
	1.0 Megapixel CMOS Alarm Pro Cube Camera
Camera	
Image Sensor	1/4" Progressive Scan CMOS
Min. Illumination	0.01Lux @(F1.2,AGC ON) ,0 Lux with IR 0.028Lux @ (F2.0, AGC ON) ,0 Lux with IR
Shutter Speed	1/3 s to 1/100,000 s
Lens	4mm@ F2.0, Angle of view: 55° (2.8mm, 6mm optional)
Lens Mount	M12
Day &Night	IR cut filter with auto switch
Digital Noise Reduction	3D Digital Noise Reduction
WDR	Digital WDR
Compression Standard	
Video Compression	H.264 / MJPEG
H.264 encoding level	Main Profile
Video Bit Rate	32Kbps~8Mbps
Audio Compression	G.711/G.722.1/G.726/MP2L2
Audio Bit Rate	64Kbps(G.711) / 16Kbps(G.722.1) / 16Kbps(G.726) / 32-128Kbps(MP2L2)
Image	
Max. Resolution	1280 × 720
Frame Rate	50 Hz: 25 fps (1280 x 720), 25 fps (704 x 576), 25 fps (640 x 480) 60 Hz: 30 fps (1280 x 720), 30 fps (704 x 576), 30 fps (640 x 480)
Image Settings	Rotate mode, Saturation, Brightness, Contrast adjustable by client software or web browser
Backlight compensation	Yes, zone optional
ROI	Support
Network	
Network Storage	Local storage: Built-in Micro SD/SDHC/SDXC card slot, up to 128 GB. NAS (Support NFS,SMB/CIFS)
Alarm Trigger	Intrusion detection, Line crossing detection, Motion detection, Dynamic analysis, Tampering alarm, Network disconnect , IP address conflict, Storage exception
Protocols	TCP/IP,ICMP,HTTP,HTTPS,FTP,DHCP,DNS,DDNS,RTP,RTSP,RTCP, PPPoE,NTP,UPnP,SMTP,SNMP,IGMP,802.1X,QoS,IPv6,Bonjour
General	One-key reset, Flash-prevention, dual stream, heartbeat, mirror, password protection, privacy mask, watermark, IP address filtering, Anonymous access

Standard	ONVIF, PSIA, CGI, ISAPI
Interface	
Communication Interface	1 RJ45 10M/100M Ethernet interface
Alarm input	1
Alarm output	1
Wi-Fi Specification(Only for the products with Wi-Fi module built-in)	
Wireless Standards	IEEE802.11b, 802.11g, 802.11n
Frequency Range	2.4 GHz ~ 2.4835 GHz
Channel Bandwidth	20/40MHz Support
Protocols	802.11b: CCK, QPSK, BPSK 802.11g/n: OFDM
Security	64/128-bit WEP, WPA/WPA2, WPA-PSK/WPA2-PSK, WPS
Transmit Output Power	11b: 17±1.5dBm @ 11Mbps 11g: 14±1.5dBm @ 54Mbps 11n: 12.5±1.5dBm
Receive Sensitivity	11b: -90dBm @ 11Mbps (Typical) 11g: -75dBm @ 54Mbps (Typical) 11n: -74dBm (Typical)
Transfer Rates	11b: 11Mbps 11g: 54Mbps 11n: up to 150Mbps
Wireless Range	50m(depend on environment)
Wireless Standards	IEEE802.11b, 802.11g, 802.11n
General	
Operating Conditions	-30 °C – 60 °C (-22 °F – 140 °F) Humidity 95% or less (non-condensing)
Power Supply	DC12V±10%/ PoE(802.3af)±10%
Power Consumption	5.5W MAX
PIR	Angle: 80°
	Range: 10m
IR Range	10 meters
Dimensions (mm)	72.3×89.9×131.3mm (2.85"×3.54" ×5.17")
Weight	400g(0.88lbs)

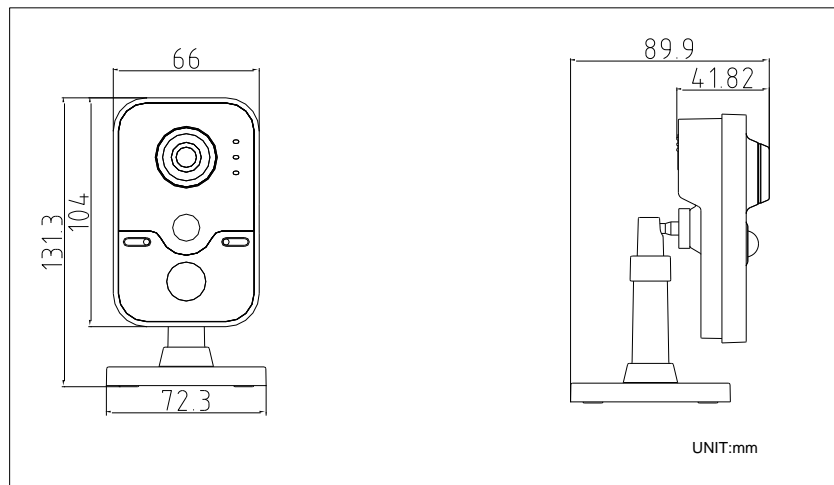
* "-W" series support Wi-Fi (802.11b/g/n) and the modules with Wi-Fi function don't support the 802.1X protocol.

*Without power adaptor in the case by default.

Order Models

DS-2CD2410F-I, DS-2CD2410F-IW

Dimensions



ООО "Компания Строимир"
г. Киев, ул. Борщаговская 154А, оф. 4
+38 (044) 331-15-43 info@smartel.ua
www.smartel.ua