

RevFace 15[TI]

Facial Recognition and Thermal Imaging Terminal
with Mask Detection



Facial
Recognition



Wide Pose Angle
Acceptance
+/- 30



Temperature
Detection



Masked Face



Compatible with
ZKBio Access IVS



RevFace15[TI] is designed based on the latest facial recognition algorithm and ZKTeco's customized CPU for running intelligent engineering facial recognition algorithms.

With the support of the mighty computing power and facial recognition algorithm, the terminal also integrates large resolution thermal imaging modules with Computer Vision facial recognition system.

RevFace15[TI] realizes fast and accurate biometric authentication approval coupled with detection and alerts for users not wearing masks and those with abnormal body temperature. It also improves the efficiency of crowd screening in public places.

Features

- Optional facial recognition and temperature detection of multiple people at once (up to 4 people)
- Unrivalled facial recognition speed (less than 0.2 seconds per face)
- 2MP starlight CMOS sensor camera with WDR function, supporting automatic adjustment according to the light exposure condition to provide accurate and detailed images in areas of contrasting light intensity
- Wide range of working temperature: 16°C to 35°C (60.8°F to 95°F)
- Anti-spoofing algorithm against print attack (laser, color and B/W photos), videos attack, and 3D mask attack
- Mask detection; facial verification available with a mask

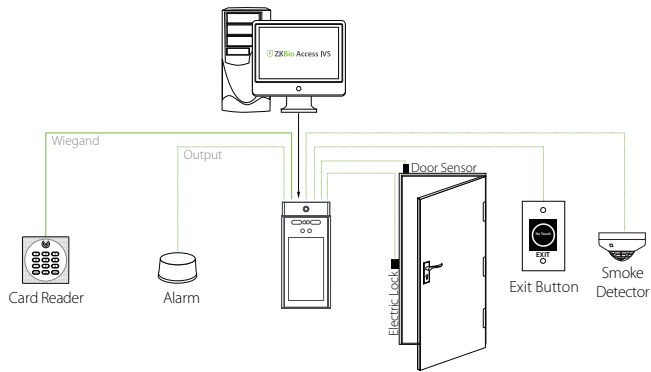
* Temperature measurement data is for reference only, not for medical use.

* RevFace15[TI] is available for indoor environments without wind or direct sunlight.

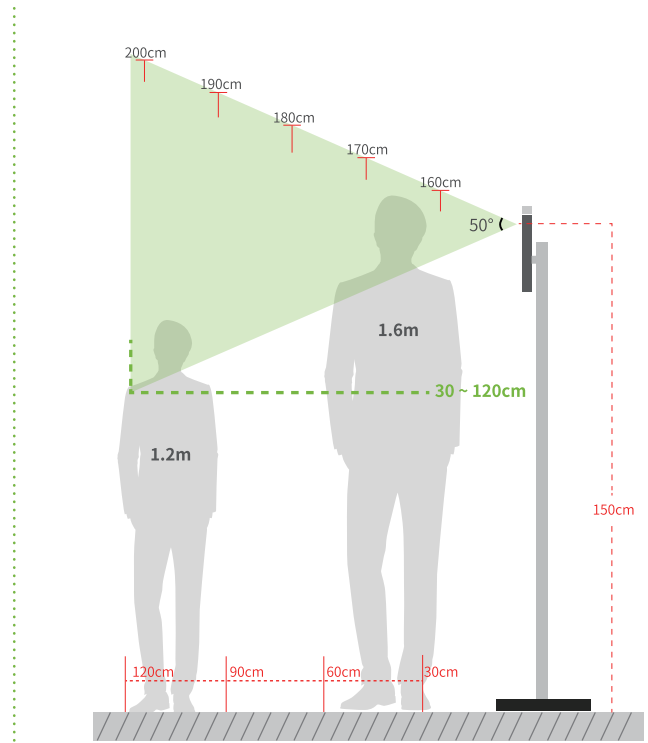
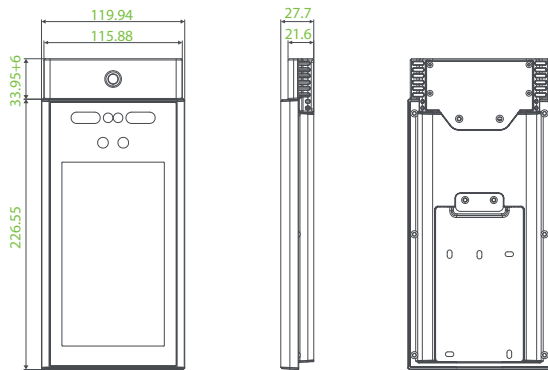
Specifications

Display	7-inch touch screen
Face Capacity	10,000 (Standard); 20,000 (Optional)
Transaction	200,000
Temperature Measurement Response Time	≤100ms
Temperature Measurement Distance	30cm to 120cm (0.98ft to 3.94ft)
Temperature Measurement Range	20°C to 50°C (68°F to 122°F) (Best performance: 28°C to 42°C or 82.4°F to 107.6°F)
Temperature Measurement Accuracy	±0.3°C (±0.54°F), tested in a distance of 80cm (2.63ft) under 25°C (77°F) environment
Operation System	Linux
Standard Functions	ADMS, T9 Input, DST, Camera, 9-digit User ID, Access Levels, Groups, Holidays, Anti-passback, Record Query, Tamper Switch Alarm, Multiple Verification Methods
Hardware	Quad-core ARM Cortex-A7@ 1.2GHz, 1GB RAM / 8GB Flash, 2MP WDR Low Light Camera, Adjustable Light Brightness LED
Communication	TCP/IP, Wiegand Input / Output, Wi-Fi, RS485 / RS232
Access Control Interface	3rd Party Electric Lock, Door Sensor, Exit Button, Alarm output, Auxiliary Input
AC Adapter	DC 12V 3A
Working Temperature	16°C to 35°C (60.8°F to 95°F)
Dimensions	120*266.5*27.7mm
Software	ZKBioAccess IVS

Configuration



Dimensions (mm)



Recommended Installation Height : 150cm
Temperature Measurement Distance : 30cm to 120cm

