

MB10

Mult-Biometric T&A and Access Control Terminal



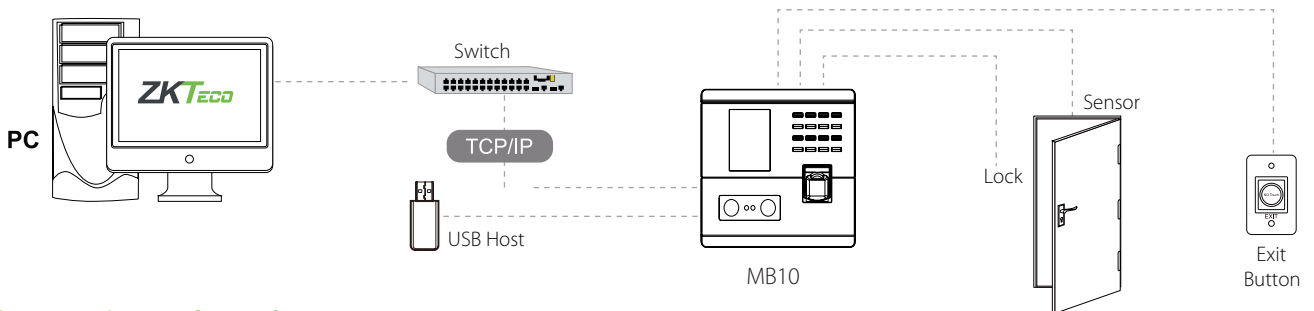
Features

- Fingerprint, face, RFID and password 4 type verification mode
- High-speed identification less than 1 second
- TCP/IP Port for Internet connection
- Access Port available to control one lock and exit button
- Optional 5V 1900mAH UPS, standby up to 3 hours

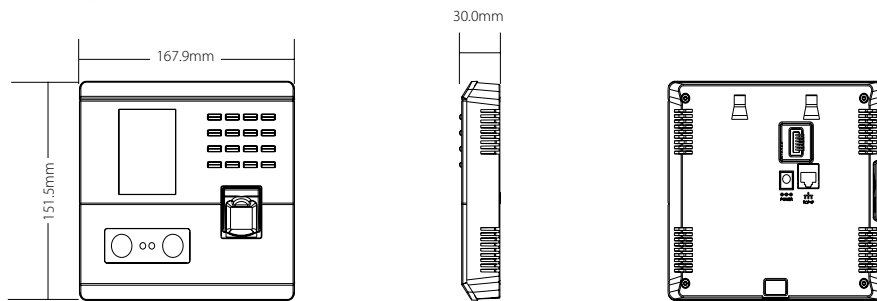
Specification

Product		MB10
Main	Biometric RF Optional	Fingerprint and Face 125kHz EM / 13.56MHz MIFARE
Capacity	Max User(1:N) Max Fingerprint (1:N) Max Face (1:N) Max Record	400 400 200 50,000
Interface	TCP/IP USB Relay	10M/100M USB 2.0 (Host) 1 Relay
Hardware	LCD Sound Operating Temp. Operating Humidity Power Dimensions(W x H x D mm)	2.8" Color LCD Stereo speaker 0 °C- 45 °C 20% ~ 80% DC 5V 0.8A 167.9 x 151.5 x 30
Function	Standard	Automatic Status Switch, Self-Service Query, DST, T9 Input 9 Digit User ID, Scheduled Bell, Photo ID Lock, sensor, Exit button
	Optional	ID / MF
Compatibility		ZKTime.net 3.0 ZKTime 5.0 ZKAccess 3.5

Configuration



Dimensions (mm)



ZKTECO CO.,LTD.

© Copyright 2017. ZKTECO CO.,LTD. ZKTeco Logo is a registered trademark of ZKTeco or a related company. All other product and company names mentioned are used for identification purposes only and may be the trademarks of their respective owners. All specifications are subject to change without notice. All rights reserved.

