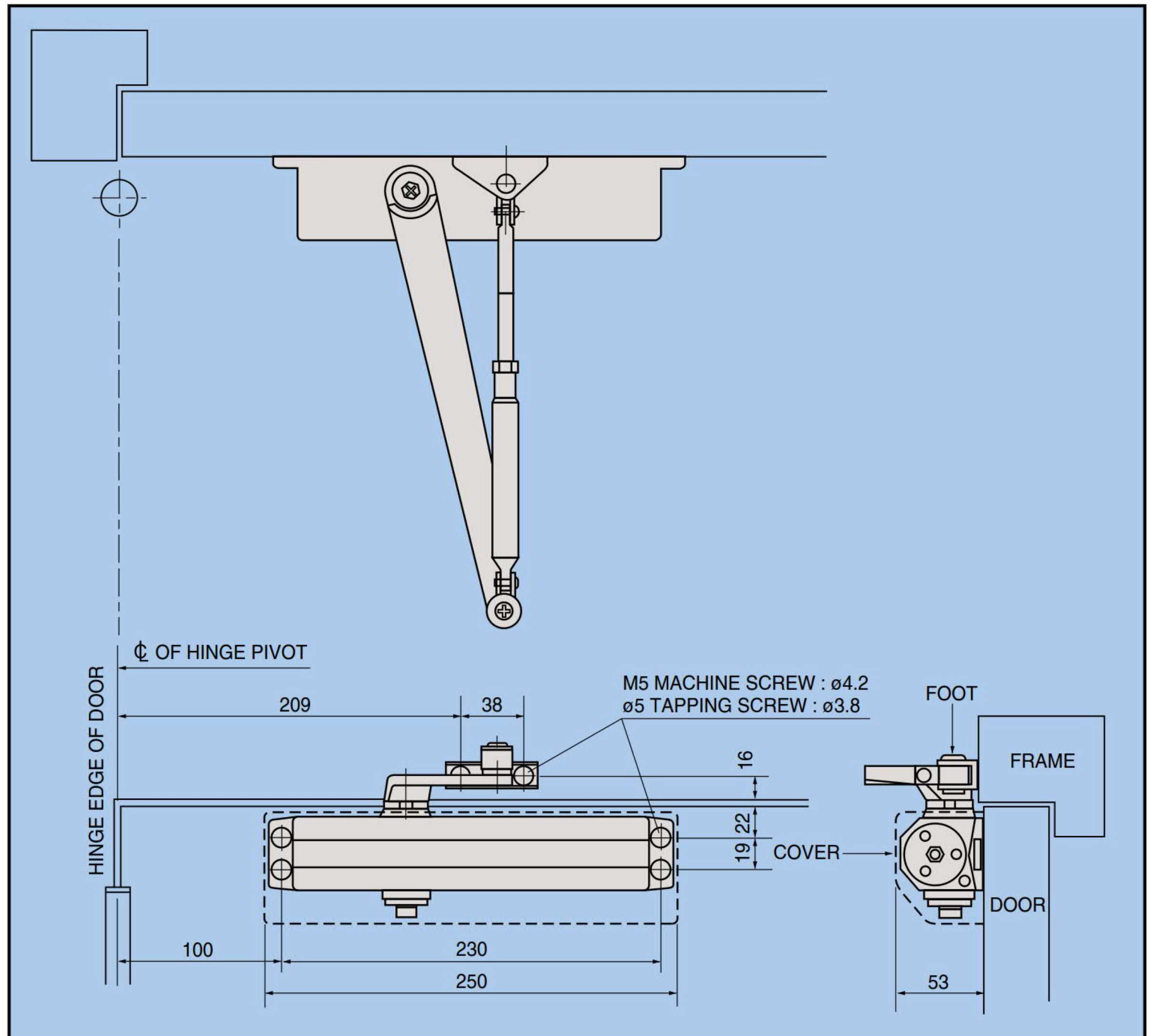


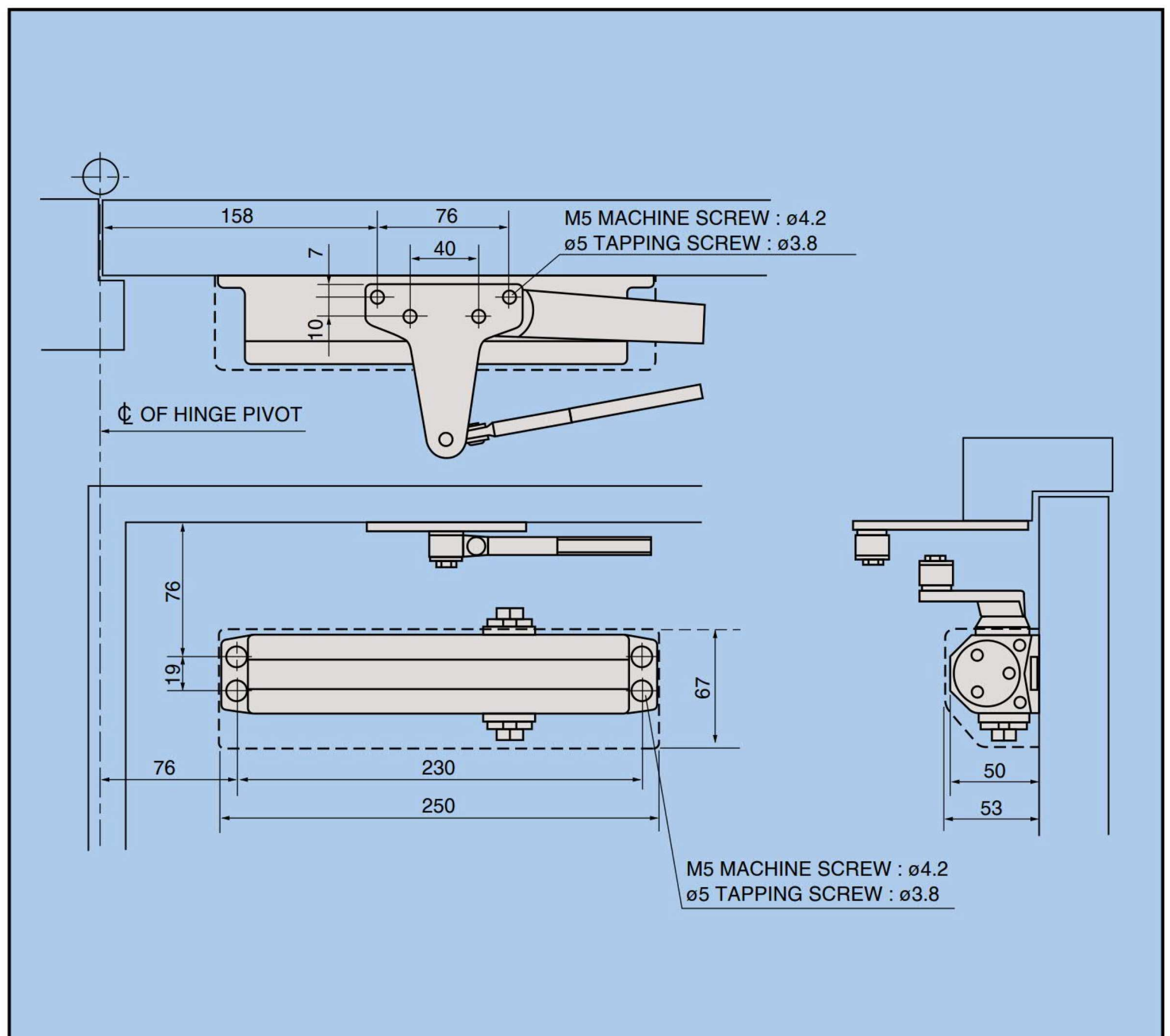
STANDARD APPLICATION

CLOSER MOUNTED ON PULL SIDE OF DOOR



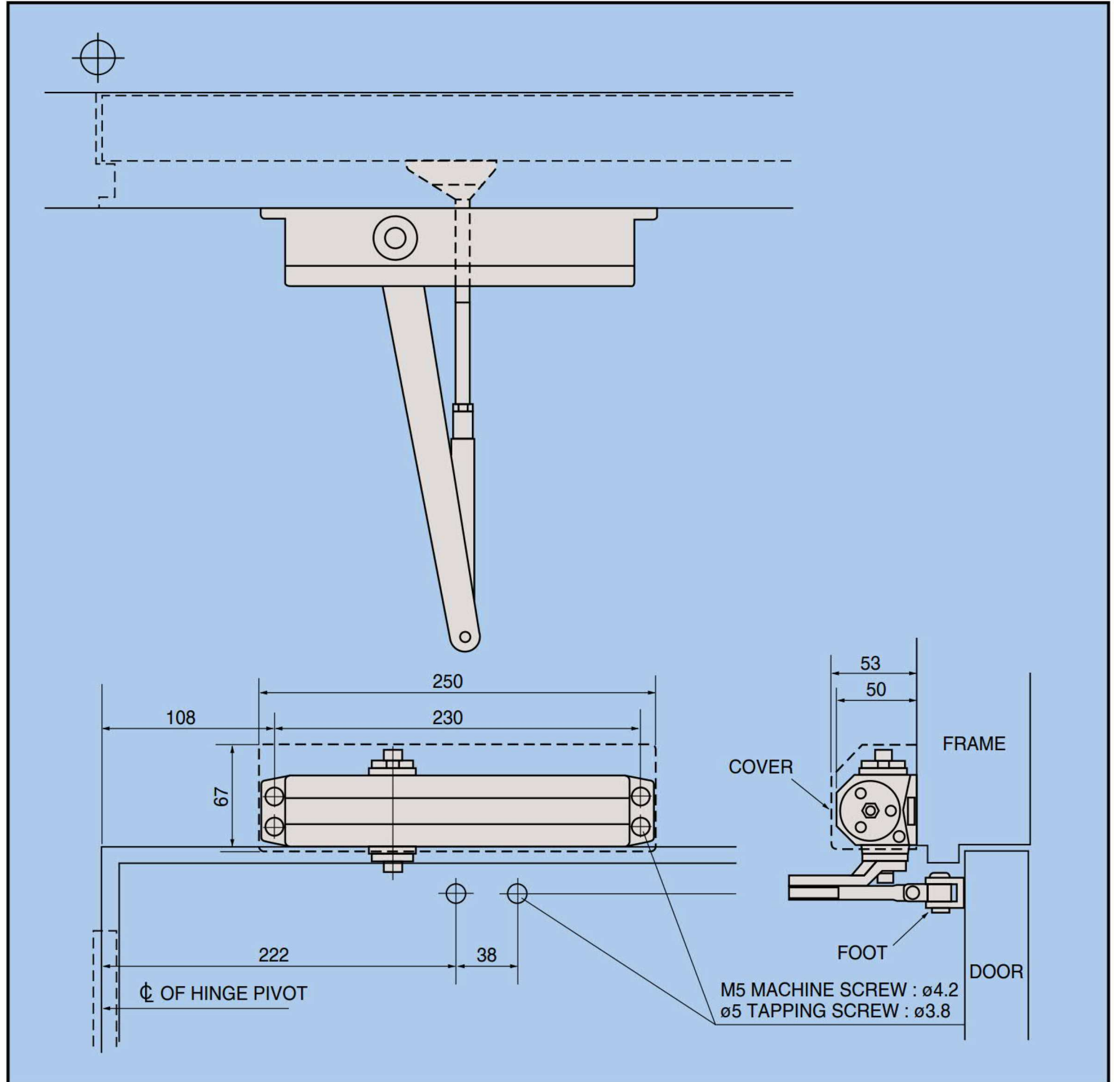
PARALLEL ARM APPLICATION

CLOSER MOUNTED ON PUSH SIDE OF DOOR



TOP JAMB APPLICATION

■ CLOSER MOUNTED ON PUSH SIDE OF DOOR



TRACK-RAIL ARM APPLICATION

■ CLOSER MOUNTED ON PULL SIDE OF DOOR

MAXIMUM DOOR OPENING

Maximum door opening is 120°.

HOLD-OPEN DEVICE	1	2
HOLD-OPEN ANGLE	92°	83°

