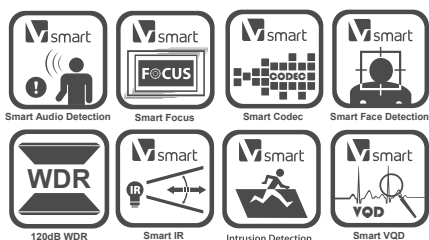


NEW

DS-2CD4A35F-IZ(H)(S)

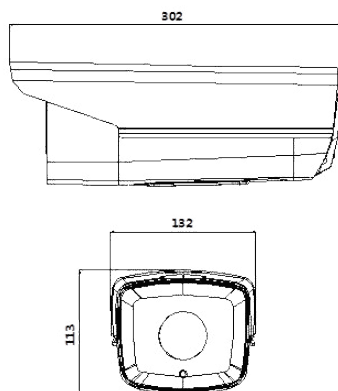
3MP IR Array Bullet Network Camera

smart IPC

Key features

- Up to 2048 x 1536 high resolution
- Full HD1080p video
- Smart Codec
- 120dB WDR, 3D DNR
- Triple streams
- On-board storage, up to 64GB
- Smart Focus: Motorized VF lens
- Smart Facial Detection
- Intrusion Detection
- Built-in heater optional (-H)
- Audio/Alarm IO optional (-S)
- 8~32mm Motorized VF lens optional
- IP67 protection

Dimension (unit: mm)



Available Models

DS-2CD4A35F-IZ, DS-2CD4A35F-IZS
 DS-2CD4A35F-IZH, DS-2CD4A35F-IZHS

- * -S: 1-ch audio I/O,
- 1-ch alarm I/O ,
- 1-ch RS-485 interface
- * -H: Smart Heater

| Camera | |
|-------------------------|--|
| Image sensor | 1/2.8" Progressive Scan CMOS |
| Min. illumination | 0.01 Lux @(F1.2,AGC ON), 0 Lux with IR |
| Shutter time | 1s ~ 1/100,000s |
| Slow shutter | Yes |
| Lens | 2.8-12mm @ F1.4 Motorized VF lens 8-32mm @ F1.4 Motorized VF lens optional |
| Auto iris | DC drive |
| Day & night | IR cut filter with auto switch |
| Digital noise reduction | 3D DNR |
| Wide dynamic range | 120dB |
| Compression standard | |
| Video compression | H.264/ MJPEG |
| H.264 codec profile | Baseline Profile / Main Profile / High Profile |
| Video bit rate | 32 Kbps – 16 Mbps |
| Audio compression | G.711/G.726/MP2L2 |
| Audio bit rate | 64Kbps(G.711) / 16Kbps(G.726)/ 32-128Kbps(MP2L2) |
| Image | |
| Max. resolution | 2048x1536 |
| Frame rate | 50Hz: 25fps(2048 × 1536) / (1920 × 1080) / (1280 × 960) / (1280 × 720) 60Hz: 30fps(2048 × 1536) / (1920 × 1080) / (1280 × 960) / (1280 × 720) |
| 3rd stream | Independent with Main Stream and Sub Stream, up to 50Hz: 25fps(1920 × 720) 60Hz: 30fps (1920 × 720) |
| Image settings | Rotate mode, saturation, brightness, contrast, grayscale adjustable through client software or web browser |
| BLC | Support, zone optional |
| Defog | Support |
| Day / Night Switch | Auto/Schedule/Triggered by Alarm In |
| Picture overlay | 128x128 24bit BMP format overlay, zone optional |
| ROI | Support 4 fixed areas or dynamic tracking for each of the three streams |
| Network | |
| Network storage | Micro SD/SDHC/SDXC card with ANR (up to 64G), NAS |
| Alarm trigger | Line crossing detection, intrusion detection, scene change detection, audio exception detection, motion detection, dynamic analysis, tampering alarm, network disconnect, IP address conflict, Storage exception |
| Protocols | TCP/IP, ICMP, HTTP, HTTPS, FTP, DHCP, DNS, DDNS, RTP, RTSP, RTCP, PPPoE, NTP, UPnP, SMTP, SNMP, IGMP, 802.1X, QoS, IPv6, Bonjour |
| Security | One-key recovery, flash-prevention, three streams, heartbeat, mirror, password protection, video mask, Watermark, IP address filtering, Anonymous access |
| System compatibility | ONVIF, PSIA, CGI, ISAPI |
| General | |
| Operating conditions | -30 °C – 60 °C Humidity 95% or less (non-condensing) -H: -40 °C – 60 °C |
| Power supply | 24 V AC ± 10%, PoE (802.3af) |
| Power consumption | 12W MAX -H:18W MAX |
| IR range | Up to 30m (2.8-12mm) /100m (8-32mm) |
| Ingress protection | IP67 |
| Dimensions | 113x132x302 |
| Weight | 1850g |