

## GV-TBL4705 4MP H.265 Super Low Lux WDR Pro IR Bullet IP Camera

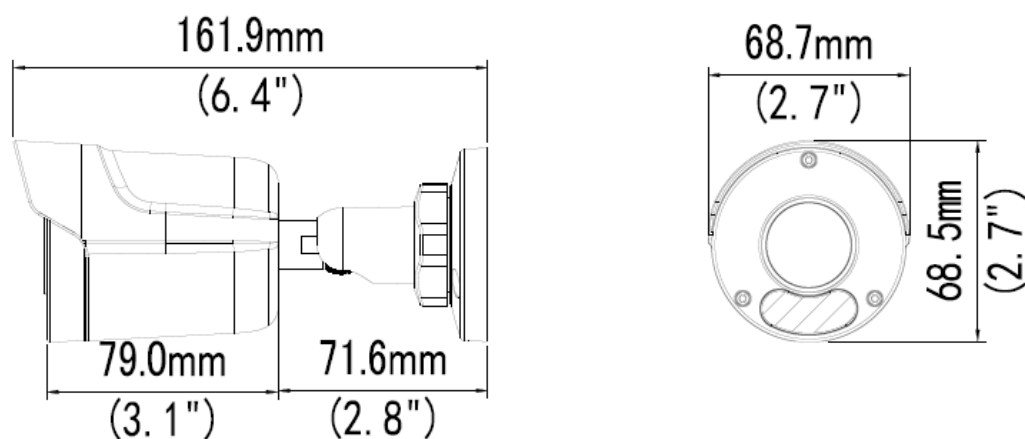


- 1/3" progressive scan super low lux CMOS sensor
- Min. illumination at 0.003 lux
- Dual streams from H.265, H.264 or MJPEG
- Up to 30 fps at 2688 x 1520
- Intelligent IR
- IR distance up to 50 m (165 ft)
- Built-in microphone
- Built-in micro SD card slot (SD / SDHC / SDXC / UHS-I) for local storage
- Day and night function (with removable IR-cut filter)
- Ingress protection (IP67)
- DC 12V / PoE (IEEE 802.3af)
- Wide Dynamic Range Pro (WDR Pro)
- Defog
- 3D noise reduction
- Motion detection
- Text overlay
- Privacy mask
- 12 languages supported
- ONVIF (Profile G, S, T) conformant

### Introduction

The Bullet IP Camera is an outdoor network camera equipped with an automatic IR-cut filter and IR LEDs for day and night surveillance. The camera supports H.265 video codec to achieve better compression ratio while maintaining high quality pictures at reduced network bandwidths. It adheres to IP67 standards and can be powered through PoE.

### Dimensions



### Specifications

Camera		
Image Sensor	1/3" progressive scan super low lux CMOS	
Picture Elements	2688 (H) x 1520 (V)	
Minimum Illumination	Color	0.003 Lux (F1.6, AGC ON)
	IR ON	0 Lux
Shutter Speed	Auto / Manual (1 ~ 1/100000s)	
White Balance	Auto / Manual	
Gain Control	Auto / Manual	
S/N Ratio	56 dB	
WDR Pro	Yes	
Dynamic Range	120 dB	

Lens		
Megapixel		4 MP
Day / Night		Yes (with removable IR-cut filter)
Lens Type		Fixed
Focal Length		4 mm
Maximum Aperture		F/1.6
Mount		M12
Horizontal FOV		83.7°
Operation	Focus	Fixed
	Zoom	
	Iris	
IR LED Quantity		2 IR LED
Max. IR Distance		50 m (165 ft)
Operation		
Video Compression		H.265, H.264, MJPEG
Video Streaming		Dual streams from H.265, H.264 or MJPEG
Video Resolution	Main Stream	2688 x 1520 (Default), 2560 x 1440, 2304 x 1296, 1920 x 1080, 1280 x 720
	Sub Stream	1280 x 720, 720 x 576, 640 x 480, 640 x 360 (Default)
Frame Rate		30 fps at 2688 x 1520 ( 60 / 50 Hz) * The frame rate and performance may vary depending on the number of connections and data bitrates (different scenes).
Video Analytics		Motion Detection, Tampering Alarm , Audio Detection , Cross Line, Intrusion *Tampering Alarm, Audio Detection, Cross Line, Intrusion are only accessible through the camera's Web interface, which can be used to trigger alerts such as e-mail and FTP
Image Setting		Brightness, Contrast, Saturation, Sharpness, Flicker-less, Image Orientation (Flip, Mirror, 0°, 90°, 180°, 270°-including Corridor format)
Audio Compression		G.711
Audio Support		One-way Audio
Network		
Interface		10/100 Ethernet
Protocol		802.1x, ARP, DHCP, DDNS, DNS, DynDNS, FTP, HTTP, HTTPS, ICMP, IGMP, IPv4, IPv6, NTP, PPPoE, QoS, RTCP, RTP, RTSP, SMTP, SNMP, TCP, UDP, UPnP, ONVIF (Profile G, S, T)
Mechanical		
Temperature Detector		No
Camera Angle Adjustment	Pan	0° ~ 360°
	Tilt	0° ~ 90°
	Rotate	0° ~ 360°
Connectors	Power	DC Jack (DC 12 V, 1.25 A), PoE
	Ethernet	RJ-45 connector
	Audio	1 In (built-in microphone)
	Local Storage	Micro SD card slot (SD/SDHC/SDXC/UHS-I, Class 10) *UHS-II card type is not supported.
General		
Operating Temperature		-30°C ~ 60°C (-22°F ~ 140°F)
Humidity		0% ~ 95% (no condensation)
Power Source		12 V DC / PoE (IEEE802.3af)
Max. Power Consumption		6 W
Dimensions		161.9 × 68.7 × 68.5 mm (6.4" × 2.7" × 2.7")
Weight		0.45 kg (0.99 lb)
Ingress Protection		IP67
Certification		CE, FCC, RoHS, UL compliant
Web Interface		
Installation Management		Web-based configuration
Maintenance		Firmware upgrade through Web Browser or GV-IP Device Utility

Access from Web Browser	Live View, Video Recording, Change Video Quality, Bandwidth Control, Image Snapshot, Defog, Text Overlay, Image Masking
Language	Czech, English, French, German, Hungarian, Italian, Japanese, Polish, Portuguese, Russian, Spanish, Traditional Chinese
<b>Applications</b>	
Software Supported	GV-VMS (V17.4.1 / V18.2.1), GV-DVR / NVR (V8.9.1), GV-Control Center (V3.8.0), GV-Recording Server / Video Gateway (V2.0.0), GV-Edge Recording Manager Win version (V2.0.0), GV-Redundant / Failover Server (V1.2.0), GV-Mobile Server (V1.5.0.0)
Smart Device Access	GV-Eye for iOS and Android
Live Viewing	Browser (IE, Edge, Chrome, Firefox), Mobile App




**Note:**

1. It is required to apply patch files to some or all of the supported software.
2. Do not use clothes or any ordinary material to clean the camera cover since they may result in scratches.
3. Specifications are subject to change without notice.

**Packing List**

- |                          |                          |
|--------------------------|--------------------------|
| 1. GV-TBL4705 Bullet     | 4. Drill Template Paster |
| 2. Waterproof Rubber Set | 5. Download Guide        |
| 3. Screw Kit             | 6. Warranty Card         |

**Accessories**

Model No.	Name		Details
GV-Mount440 (must be used with GV-Mount504)	Pole Mount		Dimensions: 127 x 136 x 62.5 mm (5" x 5.35" x 2.46") Weight: 0.34 kg (0.75lb) Steel Strap Diameter: Ø 67 ~ 127 mm (Ø 2.6" ~ 5")
GV-Mount504	Wall Mount Bracket		Dimensions: Ø 104.4 x 54.5 mm (Ø 4.11" x 2.15") Weight: 0.36 kg (0.79 lb)
GV-PA191	Power over Ethernet (PoE) Adapter		GV-PA191 is a Power over Ethernet (PoE) adapter designed to provide power to the IP device through a single Ethernet cable.
GV-POE Switch			GV-POE Switch is designed to provide power along with network connection for IP devices. GV-POE Switch is available in various models with different numbers and types of ports.
Power Adapter			Contact our sales representatives for the countries and areas supported.