

DS-2CD1743G0-I(Z) 4 MP Varifocal Dome Network Camera



- High quality imaging with 4 MP resolution
- Efficient H.265+ compression technology
- Clear imaging even with strong back lighting due to 120 dB WDR
- Up to 256 GB memory card slot for storage
- 2.8 to 12 mm motorized varifocal lens for easy installation and monitoring
- Water and dust resistant (IP67) and vandal proof (IK10)
- EXIR 2.0: advanced infrared technology with long IR range



▪ Specification

Camera	
Image Sensor	1/3" Progressive Scan CMOS
Max. Resolution	2560 × 1440
Min. Illumination	Color: 0.005 Lux @(F1.6, AGC ON), B/W: 0 Lux with IR
Shutter Speed	1/3 s to 1/100,000 s
Wide Dynamic Range	120 dB
Day & Night	IR Cut Filter
Angle Adjustment	Pan: 0° to 355°, tilt: 0° to 70°, rotation: 0° to 355°
Lens	
Lens Type	Varifocal Lens, motoried lens, 2.8 to 12 mm
Focal Length & FOV	2.8 to 12 mm: horizontal FOV 102° to 31°, vertical FOV 54° to 17°, diagonal FOV 123° to 35°
Lens Mount	Ø14
Iris Type	Fixed
Aperture	F1.6
Illuminator	
IR Wavelength	850 nm
IR Range	Up to 30 m
Video	
Main Stream	50 Hz: 20 fps (2560 × 1440) 25 fps (2304 × 1296, 1920 × 1080, 1280 × 720) 60 Hz: 20 fps (2560 × 1440) 30 fps (2304 × 1296, 1920 × 1080, 1280 × 720)
Sub-Stream	50 Hz: 25 fps (1280 × 720, 640 × 480, 640 × 360) 60 Hz: 30 fps (1280 × 720, 640 × 480, 640 × 360)
Video Compression	Main stream: H.265+/H.265/H.264+/H.264 Sub-stream: H.265/H.264/MJPEG
Video Bit Rate	32 Kbps to 8 Mbps
H.264 Type	Baseline Profile/Main Profile/High Profile
H.265 Type	Main Profile
Region of Interest (ROI)	1 fixed region for main stream
Audio	
Audio Compression	-S: G.711ulaw/G.711alaw/G.722.1/G.726/MP2L2/PCM/AAC
Audio Bit Rate	-S: 64 Kbps (G.711)/16 Kbps (G.722.1)/16 Kbps (G.726)/32 to 160 Kbps (MP2L2)/16 to 64 Kbps (AAC)
Audio Sampling Rate	-S: 8 kHz/16 kHz
Environment Noise Filtering	-S: Yes
Network	
Protocols	TCP/IP, ICMP, HTTP, HTTPS, FTP, DHCP, DNS, DDNS, RTP, RTSP, RTCP, NTP, UPnP™, SMTP, IGMP, 802.1X, QoS, IPv6, Bonjour, IPv4, UDP, SSL/TLS
Simultaneous Live View	Up to 6 channels
API	Open Network Video Interface, ISAPI
User/Host	Up to 32 users. 3 levels: administrator, operator and user

Network Storage	MicroSD/SDHC/SDXC card (256 GB) local storage
Client	iVMS-4200, Hik-Connect
Web Browser	Plug-in required live view: IE 10+ Plug-in free live view: Chrome 57.0+, Firefox 52.0+ Local service: Chrome 57.0+, Firefox 52.0+
Image	
Image Settings	Saturation, brightness, contrast, sharpness, AGC, white balance adjustable by client software or web browser
Day/Night Switch	Auto, Schedule, Day, Night
Image Enhancement	BLC, 3D DNR
Interface	
Ethernet Interface	1 RJ45 10 M/100 M self-adaptive Ethernet port
On-Board Storage	Built-in memory card slot, support microSD card, up to 256 GB
Audio	-S: 1 input (line in), two-core terminal block, max. input amplitude: 3.3 Vpp, input impedance: 4.7 K Ω , interface type: non-equilibrium 1 output (line out), two-core terminal block, max. output amplitude: 3.3 Vpp, output impedance: 100 Ω , interface type: non-equilibrium
Alarm	-S: 1 input, 1 output, max. 12 VDC, 30 mA
Reset Key	Yes
Event	
Basic Event	Motion detection, video tampering alarm, exception
Linkage	Upload to FTP, notify surveillance center, send email, upload to memory card, trigger recording, trigger capture
General	
Power	12 VDC \pm 25%, 0.8 A, max. 10 W, \varnothing 5.5 mm coaxial power plug PoE: 802.3af, Class 3, 36 V to 57 V, 0.32 A to 0.2 A, max. 11.5 W
Camera Material	Metal
Camera Dimension	\varnothing 141 mm \times 99.9 mm (\varnothing 5.6" \times 3.9")
Package Dimension	140 mm \times 140 mm \times 154 mm (5.5" \times 5.5" \times 6.1")
Camera Weight	Approx. 820 g (1.8 lb.)
With Package Weight	Approx. 1200 g (2.6 lb.)
Storage Conditions	-30 $^{\circ}$ C to 60 $^{\circ}$ C (22 $^{\circ}$ F to +140 $^{\circ}$ F). Humidity 95% or less (non-condensing)
Startup and Operating Conditions	-30 $^{\circ}$ C to 60 $^{\circ}$ C (22 $^{\circ}$ F to +140 $^{\circ}$ F). Humidity 95% or less (non-condensing)
Language	English, Ukrainian
General Function	Anti-flicker, heartbeat, mirror, password protection, privacy mask, watermark, IP address filter
Approval	
EMC	FCC SDoC (47 CFR Part 15, Subpart B); CE-EMC (EN 55032: 2015, EN 61000-3-2: 2014, EN 61000-3-3: 2013, EN 50130-4: 2011 +A1: 2014); RCM (AS/NZS CISPR 32: 2015); IC VoC (ICES-003: Issue 6, 2016); KC (KN 32: 2015, KN 35: 2015)

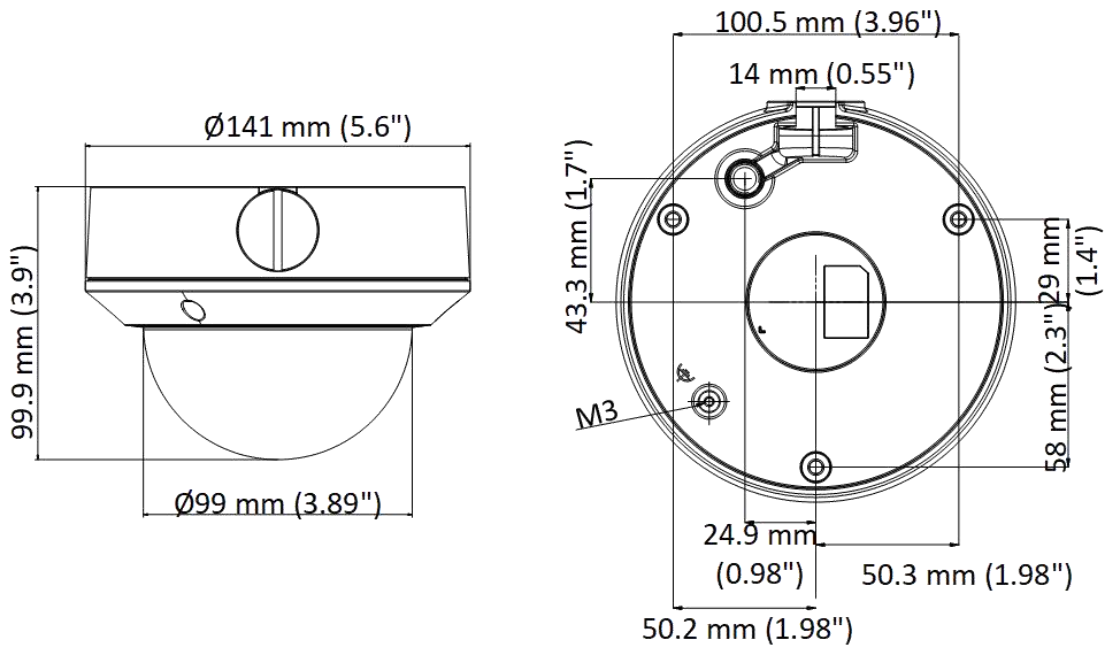
Safety	UL (UL 60950-1); CB (IEC 60950-1:2005 + Am 1:2009 + Am 2:2013, IEC 62368-1:2014); CE-LVD (EN 60950-1:2005 + Am 1:2009 + Am 2:2013, IEC 62368-1:2014); BIS (IS 13252(Part 1):2010+A1:2013+A2:2015)
Environment	CE-RoHS (2011/65/EU); WEEE (2012/19/EU); Reach (Regulation (EC) No 1907/2006)
Electrical Safety Protection	IP67 (IEC 60529-2013), IK10 (IEC 62262:2002)

▪ **Available Model**

DS-2CD1743G0-IZS (2.8 to 12 mm)

DS-2CD1743G0-IZ (2.8 to 12 mm)


▪ **Dimension**



Unit: mm (inch)

▪ **Accessory**

▪ **Optional**

<p>DS-1275ZJ-SUS Vertical Pole Mount</p>	<p>DS-1276ZJ-SUS Corner Mount</p>	<p>DS-1258ZJ-L Wall Mount</p>	<p>DS-1271ZJ-135 Pendant Mount</p>	<p>D20-AP Adapter Plate</p>
				
<p>DS-1253ZJ-L Rain Shade</p>	<p>DS-1250ZJ Rain Shade</p>	<p>DS-1227ZJ In-Ceiling Mount</p>	<p>DS-1473ZJ-135B Wall Mount</p>	<p>DS-1273ZJ-135 Wall Mount</p>
				
<p>DS-1281ZJ-DM23 Inclined Ceiling Mount</p>	<p>DS-1280ZJ-DM21 Junction Box</p>			
				