



YLI ELECTRONIC



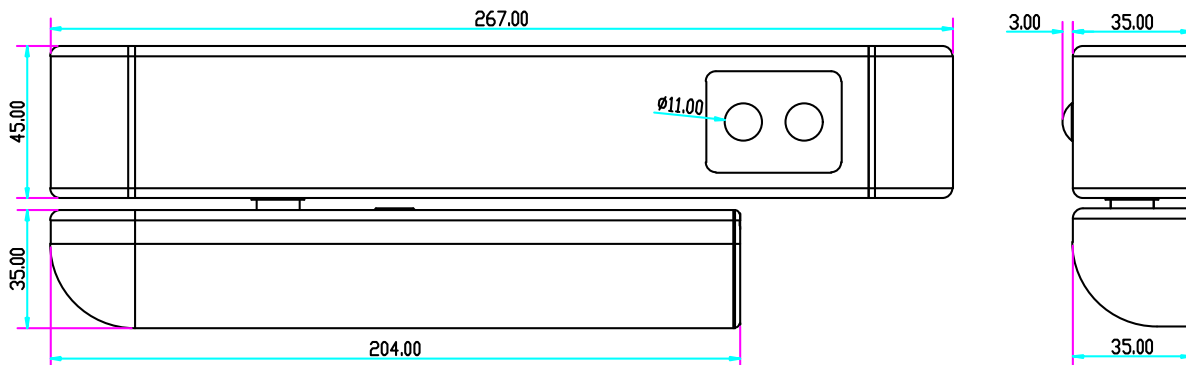
Surface Mount Intelligent Electric Bolt for Single Door

Model:YB-500H(LED)

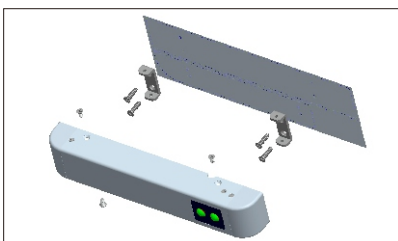
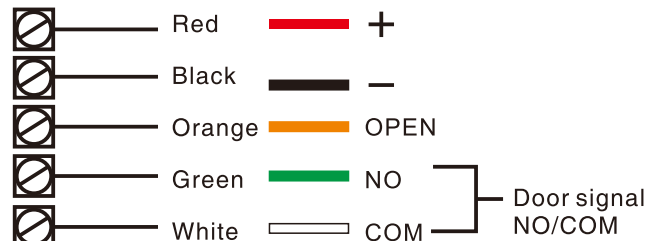
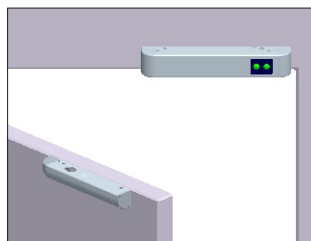
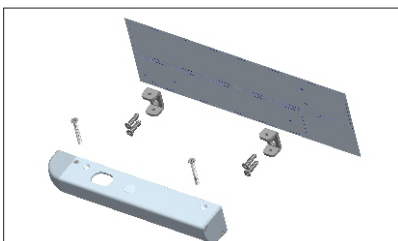
Parameters

Face Plate	267Lx45Wx38H(mm)
Bracket	204Lx35Wx35H(mm)
Signal Output	Door signal NO/COM
Time Delay	0 / 3 / 6 / 9 s e c
Voltage	1 2 V D C
Current	Start 1 A ; Standby 0.18A
LED	Green light when unlocked, Red light when locked
Induction Distance	8 m m
Feature	fail secure (NC); fail safe (NO)
Suitable for	Sturdiness Electric Bolt for Narrow Door

Dimensions



Installation&Wiring Diagram



Installation:

- 1, based on the gap between door and door frame, then decide if you need to cut off hole-cutting instruction paper, original setting of gap is 5mm
- 2, paste hole-cutting instruction paper on proper position, install U bracket base as instruction (base in accessory bag)
- 3, as shown, lock body and latch should be on appropriate position, fasten them by KM

We create security